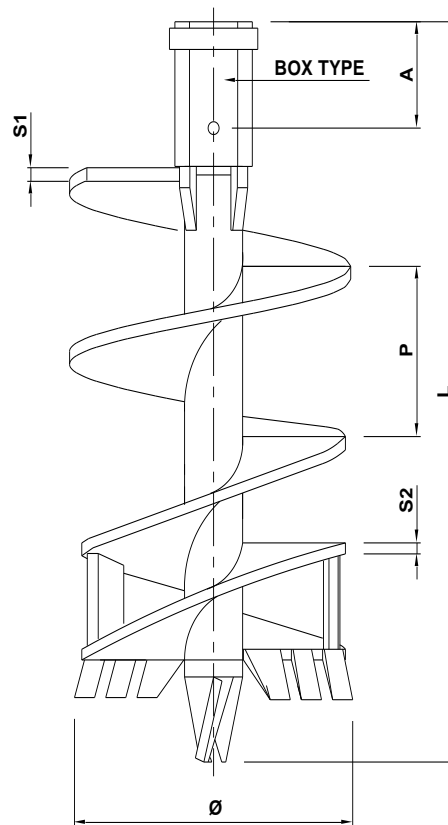


**AUGERS HEAVY DUTY and AUGERS STANDARD**



Kelly Box type	130x130 mm	150x150 mm	200x200 mm
Torque	150 kNm	230 kNm	540 kNm
Weight	50 kg	75 kg	130 kg
No. pin / diameter	1 / Ø 40 mm	1 / 50 mm	1 / 60 mm
Dimensions A	110 mm	140 mm	210

Type	Ø Hole (mm)	Ø Auger (mm)	Pitch (mm)	Length (mm)	Weight (kg)
HD	400	380	400	2.500	390
HD	500	480	400	2.500	480
HD	600	580	500	2.350	530
HD	800	780	600	2.230	780
HD	1000	980	600	2.230	1.100
HD	1200	1180	700	2.200	1.350
HD	1300	1280	700	2.230	1.550
HD	1500	1480	800	2.150	1.410
HD	1600	1580	800	2.150	1.560
HD	1800	1780	800	2.050	1.900
HD	2000	1980	800	2.050	2.280

Type	Ø Hole (mm)	Ø Auger (mm)	Pitch (mm)	Length (mm)	Weight (kg)
ST	400	380	300	2.500	270
ST	500	480	300	2.500	320
ST	600	580	350	2.350	380
ST	800	780	400	2.230	500
ST	1000	980	400	2.230	700
ST	1200	1180	450	2.200	860