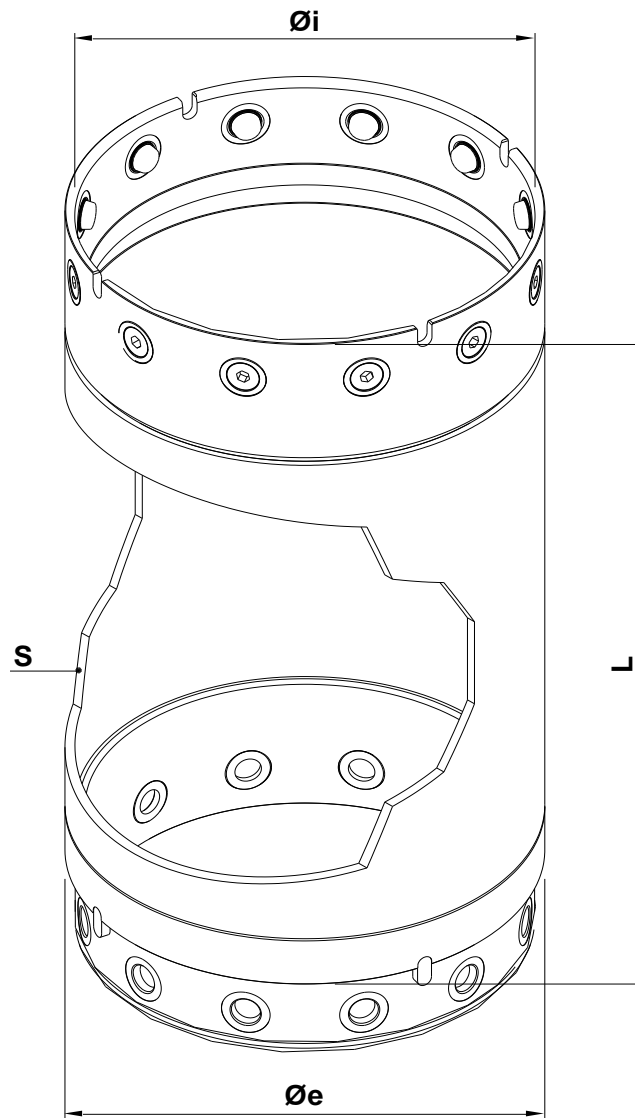


CASING TUBES TYPE SINGLE WALL
TUBI FORMA VERSIONE SEMPLICE PARETE



CASING JOINTS standard type – Technical Data

Descriptions	ref.	u/mis.								
Outside diameter	Øe	Nr.	600	700	800	900	1000	1200	1300	1500
Inside diameter	Øi	Nr.	520	620	720	820	920	1120	1220	1420
Conical screws	X	Nr.	6	8	9	10	10	12	15	16
Bushes	Y	Nr.	6+6	8+8	9+9	9+9	10+10	12+12	12+12	16+16
Centering keys		Nr	2	2	3	3	4	4	4	4

The above specifications are indicative only and in no way binding. The right is reserved to alter the data without prior notice

CASING JOINTS heavy duty type – Technical Data

Descriptions	ref.	u/mis.							
Outside diameter	Øe	Nr.	1500	1600	1800	2000	2200	2500	
Inside diameter	Øi	Nr.	1400	1500	1680	1880	2060	2360	
Conical screws	X	Nr.	16	16	20	20	24	24	
Bushes	Y	Nr.	16	16	20	20	24	24	
Centering keys		Nr	4	4	4	4	4	4	

The above specifications are indicative only and in no way binding. The right is reserved to alter the data without prior notice

PRINCIPALS DESCRIPTION

- On request, casing joints can be supplied with provision for the welding of single wall or double wall.
- The casing joints is made up of the following components:
 - One male half-joint;
 - One female half-joint;
 - One set of conical bushes;
 - One set of threaded bushes;
 - One set of coupling bolts;
 - One set of positioning keys;
 - One set of O-rings.

